



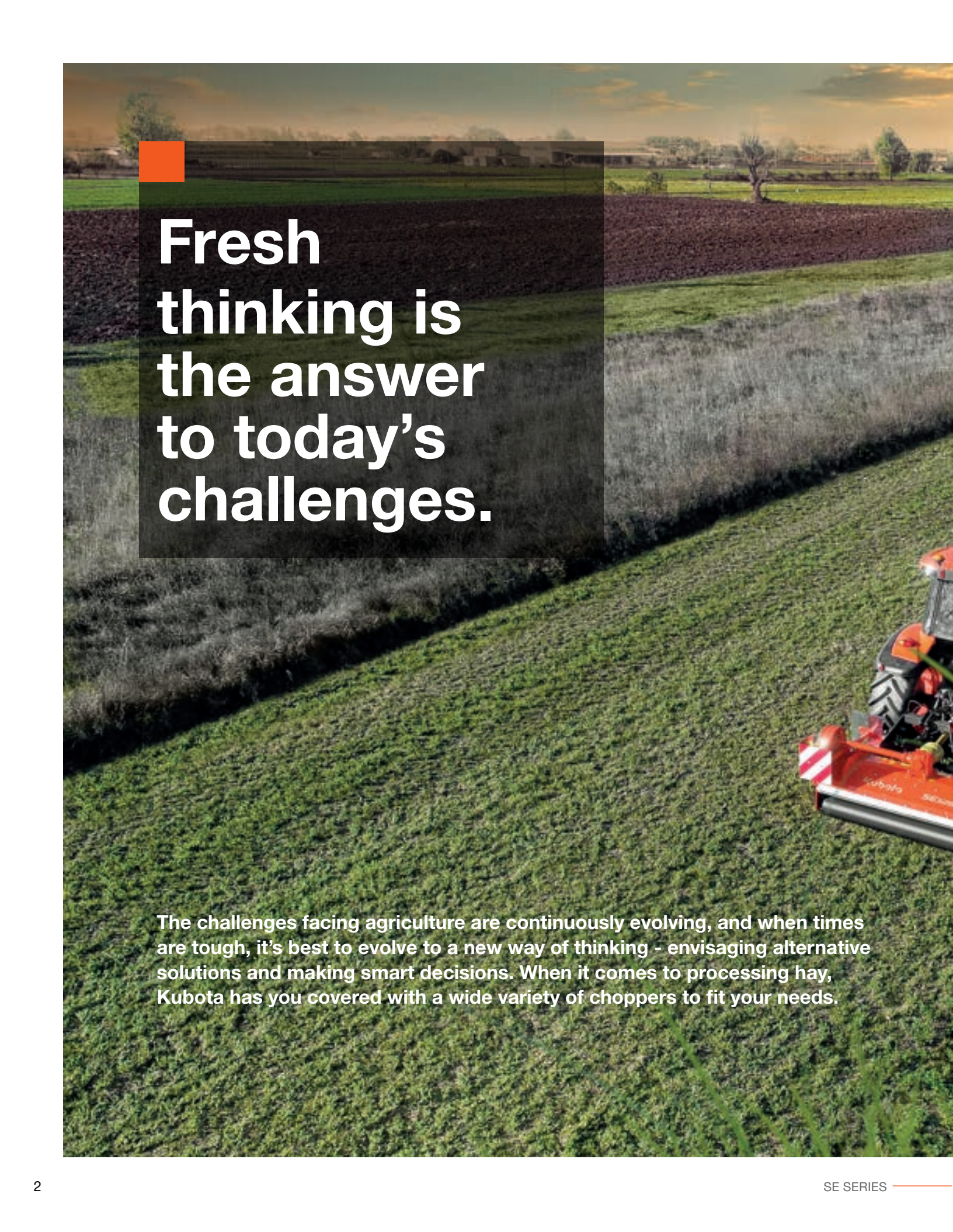
For Earth, For Life
Kubota

SE

KUBOTA CHOPPERS

SE2000/SE2000P/
SE3000/SE4000



An aerial photograph of a farm landscape. In the foreground, a green field is being worked by a red Kubota tractor with a chopper attachment. The middle ground shows a field of tall, dry grasses. In the background, there are rows of dark, tilled soil and a line of trees under a hazy sky. A large, semi-transparent dark rectangle is overlaid on the left side of the image, containing white text. A small orange square is positioned at the top left corner of this rectangle.

Fresh thinking is the answer to today's challenges.

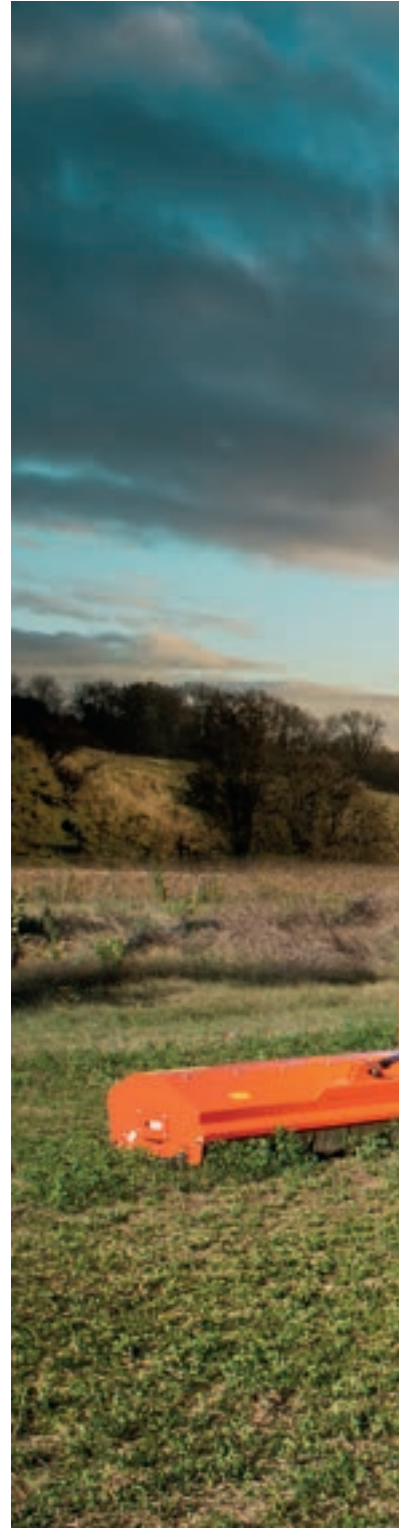
The challenges facing agriculture are continuously evolving, and when times are tough, it's best to evolve to a new way of thinking - envisaging alternative solutions and making smart decisions. When it comes to processing hay, Kubota has you covered with a wide variety of choppers to fit your needs.





SE2000-4000: versatile, reliable and efficient

The extensive range of Kubota choppers ensures there is a model to suit every operating requirement. Each model provides great results in a wide variety of conditions. All models are constructed with a robust gearbox and rugged “V” belt transmission. A high strength body with double plating in critical areas provides further reassurance. A combination of precision engineered rotor shafts and hard wearing blades ensure reliable operation, while keeping maintenance requirements to a minimum.



SE2000 series

Side pivoting choppers for road maintenance with working widths from 5'1"-6'6" (1.55-2.00m).

SE2000P series

Side pivoting choppers for road maintenance with working widths from 6'6"-8'2" (2.00-2.50m).



SE3000 series

Choppers for green areas and vineyards with working widths from 5'1"-8'2" (1.55-2.50m).

SE4000 series

Multipurpose light choppers with working widths from 7'7"-10'7" (2.35-3.25m).

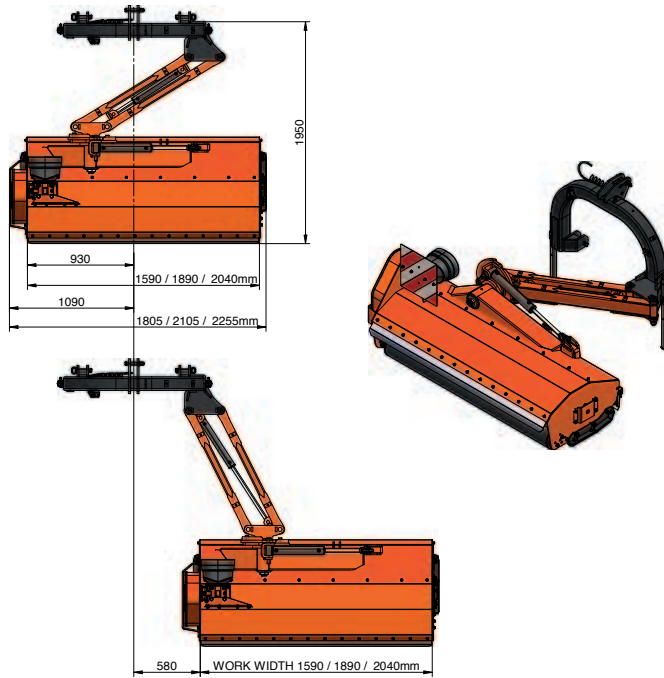


SE2000

Efficient working: in all conditions

The Kubota SE2000 series is a new multipurpose chopper for road maintenance, clearing out field edges, ditches and hedges. In addition, the SE2000 series shows versatility in operation on grass, light wood and bushes thus being ideal for maintenance of parks, gardens and road sides.





Offset articulation

Different offset positions can be reached by different working widths. Versatile in all conditions due to extremely efficient articulation (-65° & +90°).

Frame

Solid construction, heavily protected and reinforced with double skin as standard.

Rotor

High performance rotor with fast rotation speed, combined with large number of hammer blades (13 per meter) ensure superb chopping performance in all conditions. (universal or rock blades also optionally available).

Transmission

Gearbox with freewheel inside and four belts with automatic tensioner ensures smooth and reliable power transmission to the rotor.

Roller

Standard 7.7" (195mm) diameter roller with integrated bearings and easy cutting height adjustment.



Maximum versatility - Cutting horizontal.



Vertical.



Banks down to an angle of -65 degrees.



More offset: more versatility

Due to the possibility of different working angle positions, the SE2000P series is a highly versatile solution for farm and road maintenance purposes. Compact but robust it offers superb manoeuvrability and provides a high level of reliability.

Compact and easy

Compared to the standard SE2000 chopper, the plus version offers greater offset 49.4" (1255mm) and reaches positions and working angles impossible to get to with other machines. In addition the SE2000P can be combined with a front mounted chopper (SE4000 series), to maximise working width.

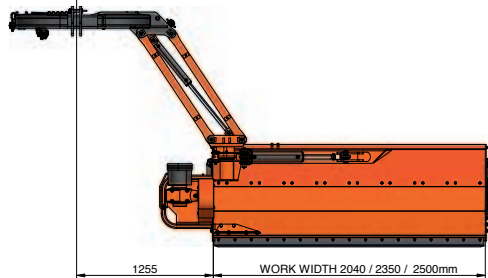
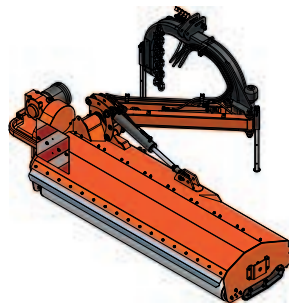
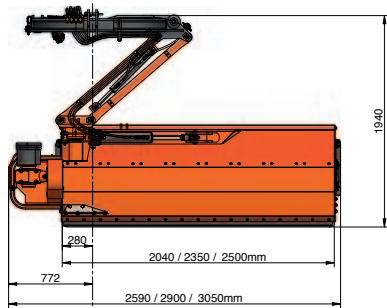
Lateral transmission

Power transmission by gearbox with integrated freewheel (up to 150hp) and five belts which incorporate an automatic tensioner, provide stable rotor speed even when working in tough conditions. A PTO shaft with wide angle joint is fitted as standard equipment.

Robust and guarded

Main frame and parallelogram articulation designed for intensive use and extreme demanding conditions; heavily tested in Kverneland Group Klepp laboratory to ensure reliable and long working life. Gearbox and transmission are protected against misuse during operation.





Offset articulation

Different offset positions can be reached by different working widths. Versatile in all conditions due to extremely efficient articulation (-65° & +90°).



Unmatched: efficient and durable

The Kubota SE3000 Chopper is a compact and heavy duty machine for moderately demanding jobs in soft and top fruit orchards, vineyards and light undergrowth. It is also equally at home tidying pasture and other grass fields, chopping straw and stubble.



Compact heavy duty machine

Due to its rugged construction the SE3000 series ensures a long lifetime with minimal maintenance. Adjustable headstock offset up to 19.7" (500mm) gives added versatility for reaching under fruit trees and safer working close to the edges of drainage channels.

As an option, hydraulic adjustment of the offset can be specified. In addition the standard roller and skids support the chopper and provide a consistent working height.

The design of the SE3000 series is modern and versatile; the latest generation rotor can be equipped with different types of blades, making them adaptable to most conditions. Highest rotor speeds (2160rpm) in combination with a counterknife and a double skin, guarantee an excellent shredding effect with minimal power requirement.



The Kubota SE3000 series can be equipped with rake tines to improve chopping on prunings.



A 6.3" (160mm) diameter roller with an adjustable scraper is fitted as standard equipment and ensures correct field performance.



Multi-purpose: Front, rear or offset

Multi-purpose - for chopping grass, pasture, set-aside land and stubble. A strong double headstock allows mounting the machine in front or behind the tractor. Together with the hydraulic offset feature, it gives multi purpose versatility for nearly all conditions e.g. clearing out field edges, orchards, road edges. All SE Choppers come standard with hammer blades.

Hydraulic Offset

Ideal for clearing out field edges. Versatile use also for road maintenance. The precisely aligned offset frame machined after the welding process ensures strong and reliable guidance. Greasable nylon bushes ensure a long lifetime.



Auto-alignment

The central gearbox fitted into the headstock ensures that the pto-shaft remains at the same angle in all working positions. Even on max. 19.7" (500mm) offset the pto angle does not change. This guarantees a smooth drive, reduced wear and a longer lifetime of the pto shaft and the whole driveline (crosses and yokes).

Rear roller

Standard equipment for reliable depth control in all conditions. Ø 6.3" (160mm) with 1.8" (45mm) bearing hub and greasable ball bearings. Replaceable integrated bearing housing. Roller interchangeable with skids.





Headstock

The heavy duty headstock is well proven with the design taken from the Kubota Power Harrow range.



Lateral Driven

Drive by five VX type V-belts running on invertible pulleys which allows adaptation for 540 or 1000 rpm drive. Idler wheel with automatic tensioner spring always ensures stable and low wear on belt drive.



Counter Knives and Double Skin

One standard U-counter knife. A second U-counter knife is available (optional equipment) for more intense shredding and heavy conditions. Also combinable with double skin.



Hammer blades

Technical data

Model	SE2000			SE2000P			
		Side Pivoting Choppers			Side Pivoting Choppers		
Dimensions & Weight							
Working width	inch (cm)	61 (155)	72.8 (185)	78.7 (200)	78.7 (200)	90.6 (230)	98.4 (250)
Transport width	inch (cm)	70.9 (180)	82.7 (210)	88.6 (225)	100.4 (255)	112 (285)	120 (305)
Weight	lbs (kg)	1631 (740)	1720 (780)	1808 (820)	1984 (900)	2116 (960)	2172 (985)
Attachment to tractor							
Pto input speed	(rpm)	540			540		
Min-Max. power requirem.	(hp)	45 - 100			70 - 130		
Operation							
No. of universal blades		40	48	52	52	60	64
No. of hammer blades		20	24	26	26	30	32
Rotor speed	(rpm)	1800			1858		
Blade tip speed	(m/s)	43			44		
Rotor shaft diameter	inch (mm)	2 (50)			2 (50)		
Rotor diameter	inch (mm)	6.7 (169)			6.7 (169)		
Cutting diameter	inch (mm)	17.8 (452)			17.8 (452)		
No. of belts		5			5		
Belt tensioner		automatic			automatic		
Equipment							
Offset	inch (mm)	22.8 (580)			49.2 (1250)		
Rear roller	inch (mm)	7.7 (195) ●			7.7 (195) ●		
Rear wheels		-	-	-	-	-	-
Skids		●	●	●	●	●	●
I counter knife		●	●	●	●	●	●
II counter knife		○	○	○	○	○	○
Double skin		●	●	●	●	●	●

- not available ○ option ● standard

Model	SE2000			SE2000P			
		Side Pivoting Choppers			Side Pivoting Choppers		
Blades							
Hammer blades		●			●		

SE3000					SE4000			
Choppers for Green Area and Vineyards					Multipurpose choppers			

61 (155)	72.8 (185)	78.7 (200)	90.6 (230)	98.4 (250)	92.5 (235)	110.2 (280)	128 (325)	
69.7 (177)	81.5 (207)	87.4 (222)	99.2 (252)	107 (272)	100.4 (255)	118.1 (300)	96.5 (345)	
1047 (475)	1191 (540)	1261 (572)	1367 (620)	1444 (655)	1903 (863)	2161 (980)	2381 (1080)	

540					540 or 1000			
35 - 80					60 - 140			

40	48	52	60	64	40	48	56	
20	24	26	30	32	20	24	28	
2160					1730 - 1828			
51					46 - 48			
2 (50)					2.4 (60)			
6.7 (169)					8.7 (220)			
17.8 (452)					19.8 (503)			
5					5			
automatic					automatic			

19.7 (500)					19.7 (500)			
6.3 (160) ●					7.7 (195) ●			
-	-	-	-	-	○	○	○	
●	●	●	●	●	●	●	●	
●	●	●	●	●	●	●	●	
○	○	○	○	○	○	○	○	
●	●	●	●	●	○	○	○	

SE3000					SE4000			
Choppers for Green Area and Vineyards					Multipurpose choppers			

●					●			
---	--	--	--	--	---	--	--	--

Descriptions, specifications, images, colours and accessories contained in this brochure are based on information believed to be correct at the time this publication was approved for printing. Although descriptions, specifications, images, colours and accessories are believed to be correct, accuracy cannot be guaranteed. Errors and omissions excepted. Kubota Canada Ltd. reserves the right to change the stated specifications, colours and accessories without notice. Some items shown may be optional and some products shown may not be available at all dealerships. This brochure is for informational purposes only. To the fullest extent permitted by law, Kubota disclaims all representations and warranties, express or implied, as well as any liability from the use of this brochure. For complete warranty, safety and product information, consult your local Kubota dealer and the operator's manual. Power (HP/KW) and other specifications are based on various standards or recommended practices. For your safety, Kubota strongly recommends the use of a Rollover Protective Structure (ROPS) and seat belt in almost all applications. This brochure is intended for the Canadian market only. For information regarding Kubota products or services outside these areas, see Kubota Corporation's global website. Kubota does not provide parts, warranty or service for any product which is re-sold or retailed in any country other than the country for which the product(s) were designed or manufactured.

©2023 Kubota Canada Ltd.



KUBOTA CANADA LTD.

Kubota Canada Ltd.

Head office: 1155 Kubota Drive, Pickering, Ontario, L1X 0H4

Visit our web site at: www.kubota.ca

SE2000/SE4000EN-01. Printed 04.2023